

Project name:		Project model:	
Project Number:		Versions:	
Mapper:	Drawing date:	Paper type: A3	lierda [®] 利尔达科技集团
Verifier:	Audit date:	Page number: 2	

1


2

3

4

(SCH OR PCB): Change List

Versions	Time	Content of change	Reviser
V01	21/05/20	New	

Project name:		Project model:	
Project Number:		Versions:	
Mapper:	Drawing date:	Paper type: A4	
Verifier:	Audit date:	Page number: 1	 利尔达科技集团

1

2

3

4

A

A

B

B

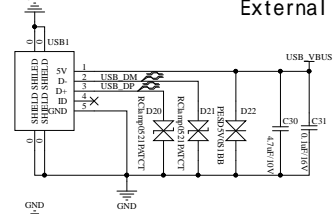
C

C

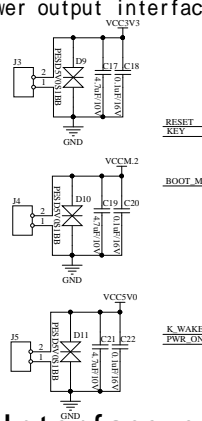
D

D

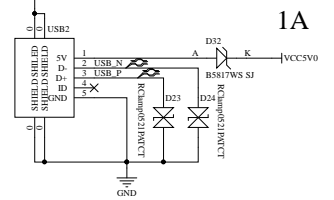
USB 2.0 Interface



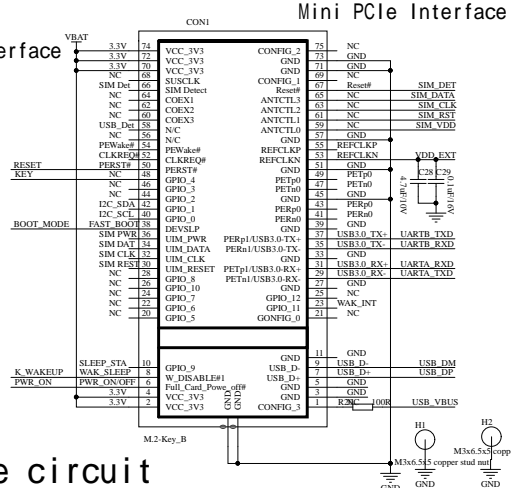
External power output interface



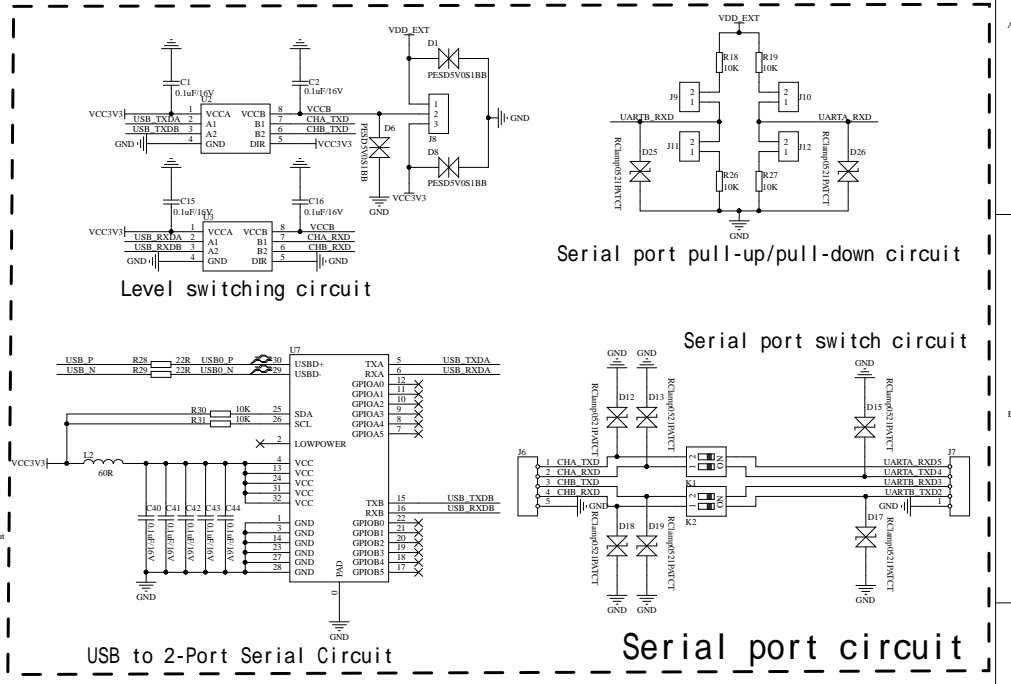
USB to Serial Port Interface



Interface circuit

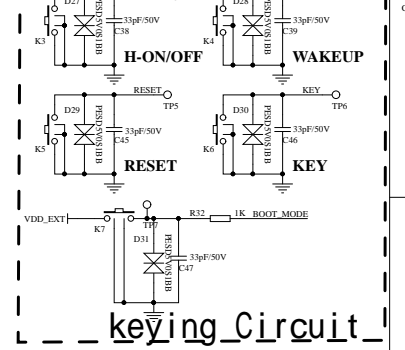
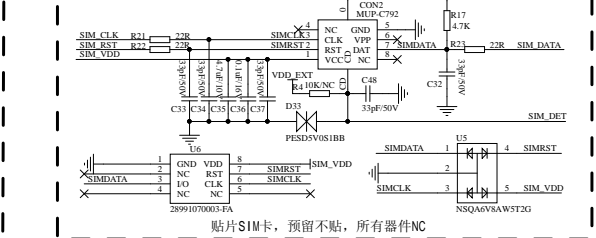


Mini PCIe Interface

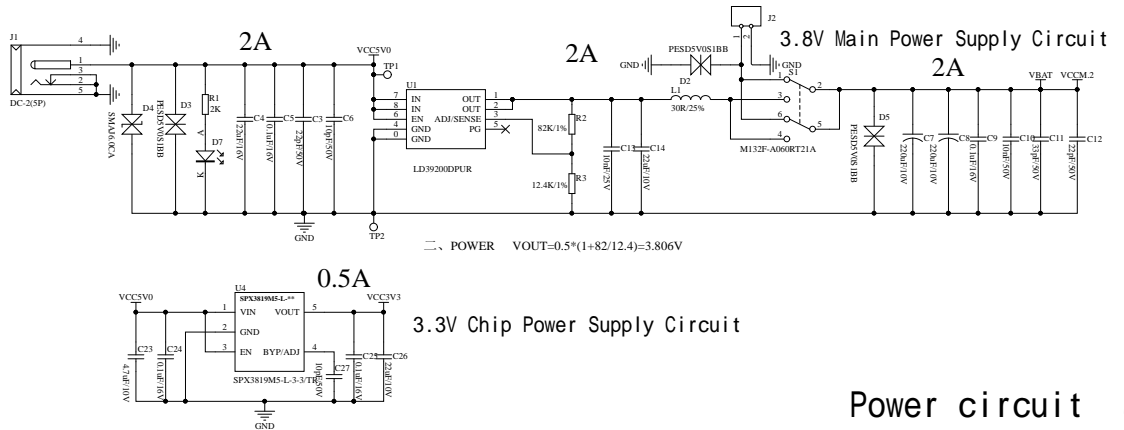


USB to 2-Port Serial Circuit

SIM Circuit

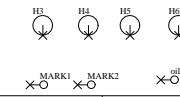


keying Circuit



Power circuit

二、POWER $V_{OUT} = 0.5 * (1 + R2/R1) = 3.806V$



Project name:	Project model:
Project Number:	Versions:
Mapper:	Drawing date:
Verifier:	Audit date:
	Paper type:A2
	Page number:3

